

RK1600R SERISE

PURGE FLOW METER with NEEDLE VALVE

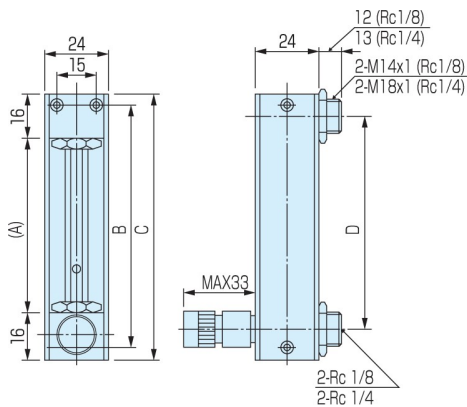
Liquid or Gas



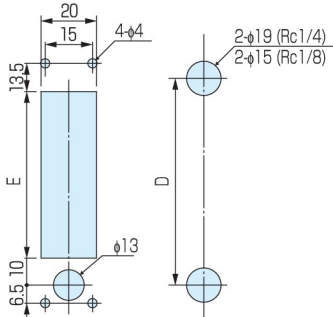
SPECIFICATIONS

Fluid	GAS - AIR,N ₂ ,O ₂ ,H ₂ ,AR,CO ₂ etc. (OPTION)
	LIQUID—WATER
Flow-Rate	Min 20cc/min to Max 20LPM
Scale	10:1 (Available Scale)
Accuracy	±5.0 of F.S. (Measurement point.)
Proof Pressure	0.8MPa for 5L/MIN or less 0.5MPa for 10L/MIN or more
Temperature	Max.120°C
Materials	Housing - SUS 316 (block) / Pyrex (tube)
	Packing - Viton

Ordering Code



<Cut Dimensions>



Flush type mounting Mounting on the panel surface

Dimensions of parts per length designation code

Part \ Code	08	10	12	15
A	48	68	88	118
B	74	94	114	144
C	80	100	120	150
D	61	81	101	131
E	44	64	84	114

