

072 series

Single-stage (DRASTAR)

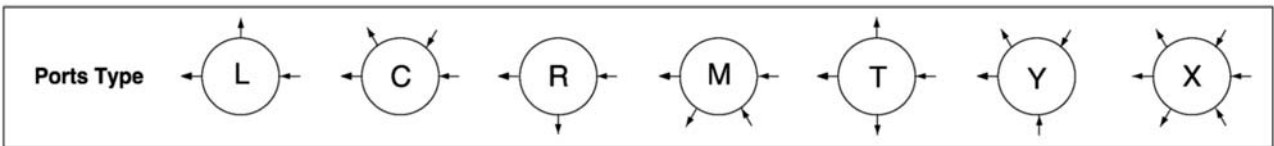
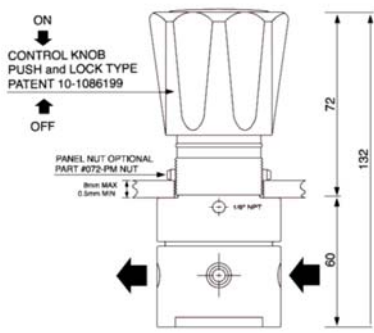
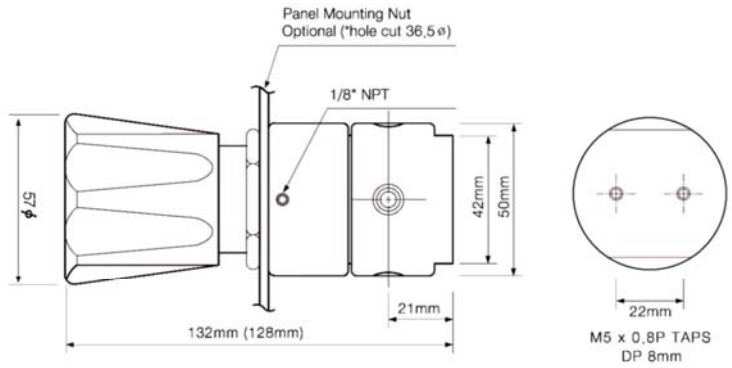
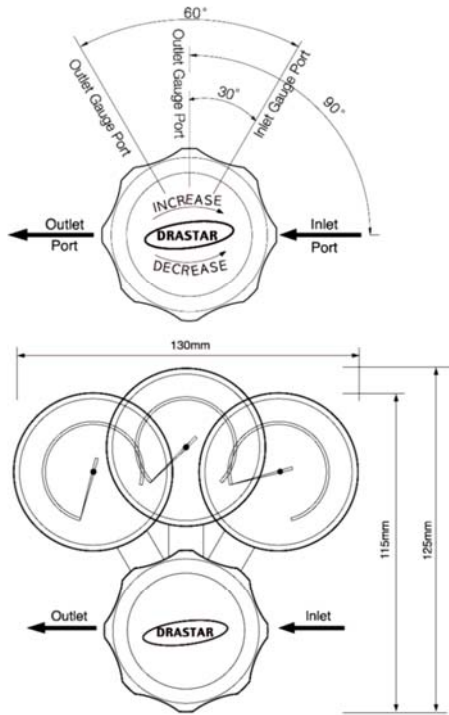


SPEC.

공급 압력	Max. 400, 3,500PSI	
토출 압력	,25,50,100,250,500 PSI	
재질	body	316 SS,
	Diaphragm	316 SS,
	seat	Teflon
사용	22R	N2, Ar, He, Air, CO2
가스&	22L	H2
연결부	23R	O2

- 072 시리즈는 본체와 내부의 모든 부품이 SUS 316L로 제작 된 제품입니다..
- 다양한 가스 및 현장 조건에 적용 가능합니다.
- 사용 용도에 따라 3-ports or 4-ports 선택이 가능합니다.
- 외부 진동과 가스 라인의 미세진동으로 인한 셋팅값의 변동을 막기 위한 PUSH & LOCK 타입의 조절손잡이가 적용된 제품입니다.
- 제품 선정 시 사용압력의 25% ~ 75%이내에서 사용하시면 가장 적절한 압력의 사용이 가능합니다.

072 Series Regulator Drawing



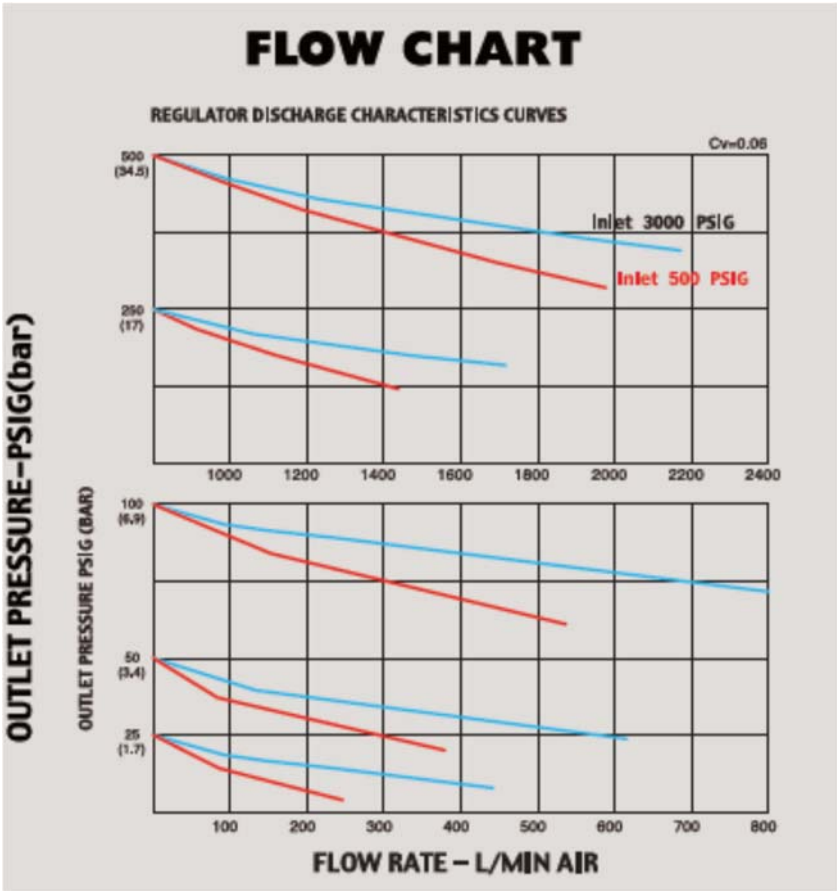
702 Series Regulator Part Number Selector

ORDERING INFORMATION

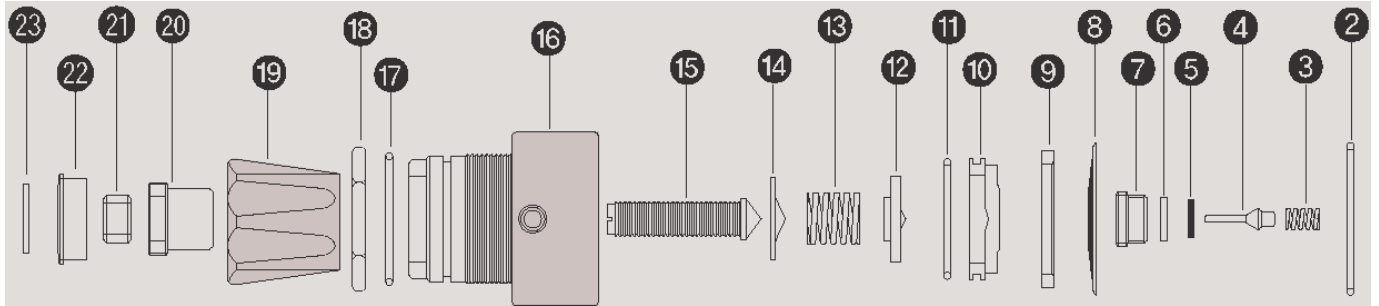
W 072 S - 0025 L - 1S H - 5 - V - H1

W MODEL	BASIS SERIES NUMBER	BODY MATERIAL	OUTLET PRESSURE RANGE	PORT TYPE	FLOW CAPACITY	DIAPHRAGM MATERIAL	INLET PRESSURE	SELF VENTING	HIGH TEMPERATURE
W model is only type for Liquid or Water	Standard Inlet Pressure 3500psig (238 bar)	B = Brass S = Stainless Steel 316L	0025 = 25psi(1.7bar) 0050 = 50psi(3.5bar) 0100 = 100psi(7bar) 0250 = 250psi(17bar) 0500 = 500psi(35bar)	L = 3-Ports C = 4-Ports R = 3-Ports M = 4-Ports T = 4-Ports Y = 4-Ports X = 6-Ports	1 = 1/4" NPT type 1S = Cv 0.06 Standard 1O = Cv 0.2 Optional	STS 316L Standard H = Hastelloy-C Optional	5 = Inlet 500psi(35bar) Optional	V = Self-Venting Optional	H1 = 120°C H2 = 250°C Optional

702 Series Regulator Flow Charts



702 Series Part List



Item No	Description	Part No.	Model Application
01	Body	072-()2-01	02-01Stainless Staei316L body / 02-02 Brass body
02	BobyO-Ring	072-02-00	All Model Same
03	Valve Spring	072-04-01	04-01STS 316L /04-03 Hastelloy-c-22104-04 Monel
04	Main Valve	072-06-01	06-01STS 316L106-03 Hastelloy-C-22106-04 Monel
05	Valve Seat	072-10-01	10-01PFA110-05 Veapell10-06 Peek
06	Valve Seat Cartridge	072-08-01	08-01Stainless Steei316L /08-02 Brass
07	Locking Screw	072-12-01	All Model Same
08	Diaphragm	072-16-01	16-01STS 316L/16-02 Hastelloy C-22
09	DiaptYagm Plate	072-22-02	All Model Same
10	Back-up Plate	072-26-03	All Model Same
11	Back-upPlate O-Ring	072-28-01	All Model Same
12	Spring Plate	072-30-01	All Model Same
13	Load Spring	072-38-01	11-0125psi/11-02 50psi/11-03 100psi/11-05 250psi /11-07 500psi
14	Pivot	072-40-01	All Model Same
15	Adjusting Screw	072-42-01	All Model Same
16	Bomet	072-44-02	44-01Stainless steel316L /44-02Brass
17	Push & Lock O-Ring	072-46-01	All Model Same
18	Panel mount Nut	072-48-01	All Model Same
19	Control Knob	072-50-01	50-01ABS /50-04 Aluminum Control knob
20	Push & Lock Handle nut	072-52-01	All Model Same
21	Locking Nut	072-54-01	All Model Same
22	Name Cap	072-56-01	56-01ABS
23	Name Cap Plate	072-58-01	58-0125psV58-02 50psll58-03 100psll58-04 200psll58-06 350psll58-07 500psll
24	Filter Assembly	072-60-01	All Model Same