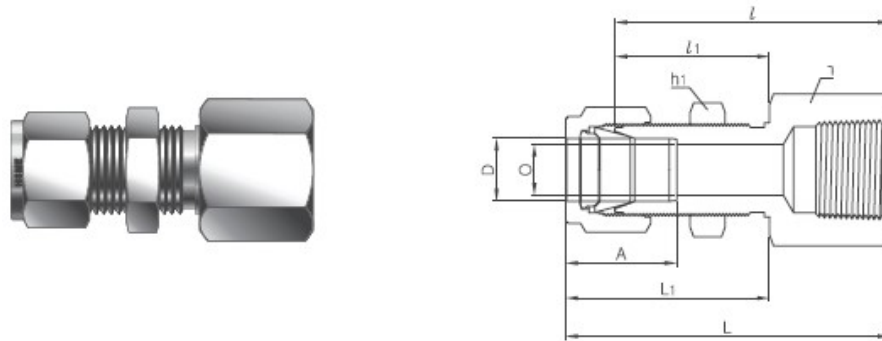


Bulkhead Female Connector ACBF-N



Connects fractional tube to male NPT thread

| Part No. | Tube O.D | | T NPT | O Min | Width Across Flat | | | | | | Panel Hole Drill size | Panel Max Thickness | | | | | |
|------------|----------|-------|----------|----------|-------------------|-------|--------|-------|-------|-------|-----------------------------|---------------------------|-------|--------|-------|-------|-------|
| | D | | | | h | h1 | H | A | I | I1 | | | L | L1 | | | |
| | in | mm | | | | | | | | | | | | | in | mm | in |
| ACBF2-2N | 1/8 | 3.17 | 1/8 | 2.28 | 9/16 | 14.28 | 1/2 | 12.7 | 7/16 | 11.11 | 12.7 | 38.1 | 24.63 | 44.7 | 31.24 | 8.33 | 12.7 |
| ACBF4-2N | 1/4 | 6.35 | 1/8 | 4.82 | 5/8 | 15.87 | 5/8 | 15.87 | 9/16 | 14.28 | 15.24 | 39.62 | 26.16 | 46.99 | 33.52 | 11.5 | 10.16 |
| ACBF4-4N | 1/4 | 6.35 | 1/4 | 4.82 | 3/4 | 19.05 | 5/8 | 15.87 | 9/16 | 14.28 | 15.24 | 44.45 | 26.16 | 51.81 | 33.52 | 11.5 | 10.16 |
| ACBF6-4N | 3/8 | 9.52 | 1/4 | 7.11 | 3/4 | 19.05 | 3/4 | 19.05 | 11/16 | 17.46 | 16.76 | 47.75 | 29.46 | 55.11 | 36.83 | 14.68 | 11.17 |
| ACBF6-6N | 3/8 | 9.52 | 3/8 | 7.11 | 7/8 | 22.22 | 3/4 | 19.05 | 11/16 | 17.46 | 16.76 | 49.41 | 29.46 | 56.77 | 36.83 | 14.68 | 11.17 |
| ACBF8-6N | 1/2 | 12.7 | 3/8 | 10.41 | 15/16 | 23.81 | 15/16 | 23.81 | 7/8 | 22.22 | 22.86 | 51.56 | 31.75 | 61.72 | 41.91 | 19.44 | 12.7 |
| ACBF8-8N | 1/2 | 12.7 | 1/2 | 10.41 | 1-1/16 | 26.98 | 15/16 | 23.81 | 7/8 | 22.22 | 22.86 | 56.38 | 31.75 | 66.54 | 41.91 | 19.44 | 12.7 |
| ACBF12-12N | 3/4 | 19.05 | 3/4 | 15.74 | 1-1/4 | 31.75 | 1-3/16 | 30.16 | 1-1/8 | 28.57 | 24.38 | 63.6 | 38.3 | 73.51 | 47.21 | 25.79 | 16.76 |
| ACBF16-16N | 1 | 25.4 | 1 | 22.35 | 1-5/8 | 41.27 | 1-5/8 | 41.27 | 1-1/2 | 38.1 | 31.24 | 81.04 | 45.21 | 93.23 | 57.4 | 33.73 | 19.05 |
| ACBF20-20N | 1-1/4 | 31.75 | 1-1/4 | 27.68 | 1-7/8 | 47.63 | 1-7/8 | 47.63 | 1-7/8 | 47.63 | 41.14 | 83.49 | 47.75 | 105.59 | 69.85 | 41.67 | 19.05 |
| ACBF24-24N | 1-1/2 | 38.1 | 1-1/2 | 34.03 | 1-1/4 | 57.15 | 2-1/4 | 57.15 | 2-1/4 | 57.15 | 50.03 | 87.39 | 49.27 | 114.57 | 76.45 | 49.61 | 19.05 |
| ACBF32-32N | 2 | 50.8 | 2 | 45.97 | 1-3/4 | 69.85 | 2-3/4 | 69.85 | 3 | 76.2 | 67.56 | 95.3 | 56.38 | 132.63 | 93.71 | 57.94 | 19.05 |

Connects metric tube to male NPT thread

| Part No. | Tube O.D | | T NPT | O Min | Width Across Flat | | | A | I | I1 | L | L1 | Panel Hole | Panel Max |
|------------|----------|--|----------|----------|-------------------|------|----|------|------|------|-------|-------|---------------|--------------|
| | D | | | | h | h1 | H | | | | | | | |
| ACBF6M-2N | 6 | | 1/8 | 4.8 | 15.8 | 15.8 | 14 | 15.3 | 39.6 | 26.2 | 46.9 | 35 | 11.5 | 10.2 |
| ACBF6M-4N | 6 | | 1/4 | 4.8 | 19 | 16 | 14 | 15.3 | 44.4 | 26.2 | 51.8 | 33.6 | 11.5 | 10.2 |
| ACBF8M-4N | 8 | | 1/4 | 6.3 | 19 | 17.4 | 16 | 16.2 | 46.7 | 28.6 | 53.85 | 35.55 | 13.1 | 11.2 |
| ACBF12M-8N | 12 | | 1/2 | 9.5 | 27 | 24 | 22 | 22.8 | 56.4 | 31.8 | 66.5 | 41.9 | 19.5 | 12.7 |