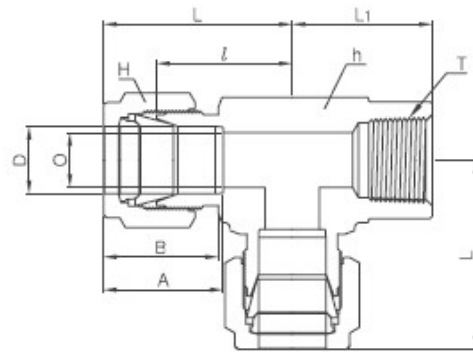


Female Run Tee

ATRF-N

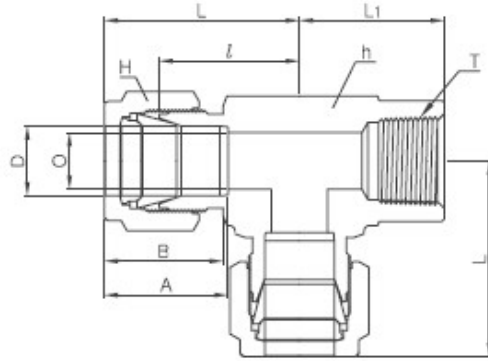


Connects fractional tube to male NPT thread

Part No.	Tube O.D.		T NPT	O Min	Width Across Flat								
	D				h	H	A	B	I	L	L1		
	in	mm										in	mm
ATRF2-2N	1/8	3.17	1/8	2.28	1/2	12.7	7/16	11.11	12.7	15.24	18.03	24.63	19.05
ATRF2-4N	1/8	3.17	1/4	2.28	11/16	17.46	7/16	11.11	12.7	15.24	20.82	27.43	22.35
ATRF3-2N	3/16	4.76	1/8	3.04	1/2	12.7	1/2	12.7	13.71	16	18.79	25.4	19.05
ATRF4-2N	1/4	6.35	1/8	4.82	1/2	12.7	9/16	14.28	15.24	17.78	19.55	26.92	19.05
ATRF4-4N	1/4	6.35	1/4	4.82	11/16	17.46	9/16	14.28	15.24	17.78	22.86	29.71	22.35
ATRF4-6N	1/4	6.35	3/8	4.82	13/16	20.64	9/16	14.28	15.24	17.78	24.38	31.75	22.35
ATRF4-8N	1/4	6.35	1/2	4.82	1	25.4	9/16	14.28	15.24	17.78	27.17	34.54	28.44
ATRF5-2N	5/16	7.94	1/8	6.35	9/16	14.28	5/8	15.87	16.25	18.54	21.33	28.7	19.05
ATRF5-4N	5/16	7.94	1/4	6.35	11/16	17.46	5/8	15.87	16.25	18.54	23.11	30.48	22.35
ATRF6-2N	3/8	9.52	1/8	7.11	5/8	15.87	11/16	17.46	16.76	19.3	23.11	30.48	19.05
ATRF6-4N	3/8	9.52	1/4	7.11	11/16	17.46	11/16	17.46	16.76	19.3	23.87	31.24	22.35
ATRF6-6N	3/8	9.52	3/8	6.35	13/16	20.64	11/16	17.46	16.76	19.3	25.9	33.27	22.35
ATRF6-8N	3/8	9.52	1/2	7.11	1	25.4	11/16	17.46	16.76	19.3	28.7	36.06	28.44
ATRF8-4N	1/2	12.7	1/4	10.41	13/16	20.64	7/8	22.22	22.86	21.84	25.9	36.06	22.35
ATRF8-6N	1/2	12.7	3/8	10.41	13/16	20.64	7/8	22.22	22.86	21.84	25.9	36.06	22.35
ATRF8-8N	1/2	12.7	1/2	10.41	1	25.4	7/8	22.22	22.86	21.84	29.71	39.87	28.44
ATRF10-6N	5/8	15.87	3/8	12.7	15/16	23.81	1	25.4	24.38	21.84	27.94	38.1	22.35
ATRF10-8N	5/8	15.87	1/2	12.7	1	25.4	1	25.4	24.38	21.84	29.71	38.86	28.44
ATRF12-8N	3/4	19.05	1/2	15.74	1-1/16	26.98	1-1/8	28.58	24.38	21.84	29.71	39.87	28.44
ATRF12-12N	3/4	19.05	3/4	15.74	1-3/8	34.92	1-1/8	28.58	24.38	21.84	34.54	44.7	31.75
ATRF14-12N	7/8	22.22	3/4	18.28	1-3/8	34.92	1-1/4	31.75	31.75	21.84	34.54	44.7	31.75
ATRF16-12N	1	25.4	3/4	22.35	1-3/8	34.92	1-1/2	38.1	38.1	26.41	36.83	49.02	31.75
ATRF16-16N	1	25.4	1	22.35	1-1/16	42.86	1-1/2	38.1	38.1	26.41	41.4	50.29	38.1

Female Run Tee

ATRF-N



Connects metric tube to male NPT thread

Part No.	Tube O.D. D	T NPT	O Min	Width Across Flat		A	B	I	L	L1
				h	H					
ATRF6M-2N	6	1/8	4.8	12.7	14	15.3	17.7	19.6	27	19
ATRF6M-4N	6	1/4	4.8	17.46	14	15.3	17.7	22.4	29.8	22.4
ATRF6M-6N	6	3/8	4.8	20.64	14	15.3	17.7	24.4	31.7	22.4
ATRF6M-8N	6	1/2	4.8	25.4	14	15.3	17.7	27.2	34.5	28.4
ATRF8M-2N	8	1/8	6.4	15.87	16	16.2	18.6	23.1	29.9	19
ATRF8M-4N	8	1/4	6.4	17.46	16	16.2	18.6	23.1	30.6	22.4
ATRF8M-6N	8	3/8	6.4	20.64	16	16.2	18.6	25.2	32.4	22.4
ATRF8M-8N	8	1/2	6.4	25.4	16	16.2	18.6	28	35.2	28.4
ATRF10M-2N	10	1/8	7.9	20.64	19	17.2	19.5	23.9	31.5	19
ATRF10M-4N	10	1/4	7.9	20.64	19	17.2	19.5	25.9	33.6	22.4
ATRF10M-6N	10	3/8	7.9	20.64	19	17.2	19.5	25.9	33.6	22.4
ATRF10M-8N	10	1/2	7.9	25.4	19	17.2	19.5	26.2	33.6	28.4
ATRF12M-4N	12	1/4	9.5	20.64	22	22.8	22	25.9	36	22.4
ATRF12M-6N	12	3/8	9.5	20.64	22	22.8	22	25.9	36	22.4
ATRF12M-8N	12	1/2	9.5	25.4	22	22.8	22	29.7	40	28.4
ATRF16M-8N	16	1/2	12.7	25.4	25	24.4	22	29.7	39.5	28.4