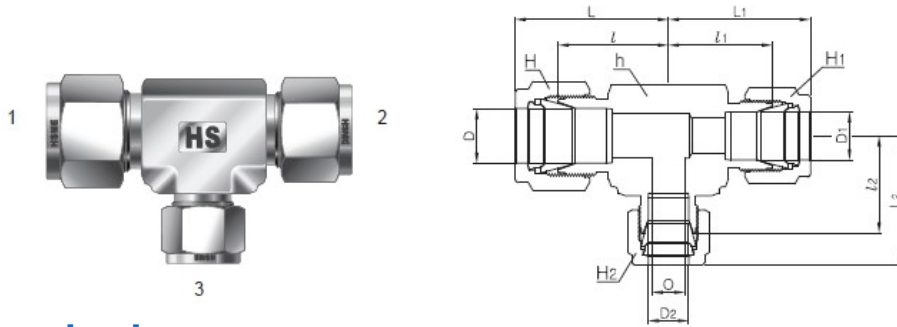


Reducing Union Tee

ATR

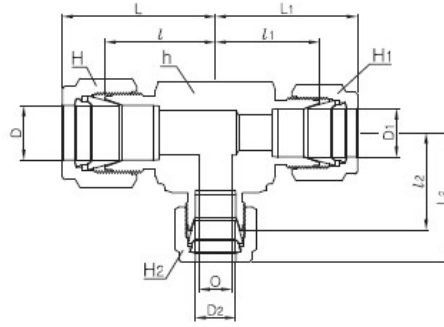
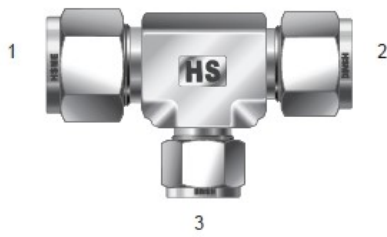


Connects fractional tube

Part No.	Port 1		Port 2		Port 3		O Min	Width Across Flat													
	D		D1		D2			h	H	H1	H2	I	I1	I2	L	L1	L2				
	in	mm	in	mm	in	mm		in	mm	in	mm	in	mm	in	mm	in	mm	in	mm	in	mm
ATR4-4-2	1/4	6.35	1/4	6.35	1/8	3.17	2.4	1/2	12.7	9/16	14.28	9/16	14.28	7/16	11.11	19.55	19.55	17.9	26.91	26.91	24.5
ATR4-4-6	1/4	6.35	1/4	6.35	3/8	9.52	4.8	5/8	15.87	9/16	14.28	9/16	14.28	11/16	17.46	21.92	21.92	17.9	29.28	29.28	30.46
ATR4-8-8	1/4	6.35	1/2	12.7	1/2	12.7	4.8	13/16	20.64	9/16	14.28	7/8	22.22	7/8	22.22	24.4	25.9	23.1	31.76	36.06	36.06
ATR6-4-6	3/8	9.52	1/4	6.35	3/8	9.52	4.8	5/8	15.87	11/16	17.46	9/16	14.28	11/16	17.46	23.1	21.92	25.9	30.46	29.28	30.46
ATR6-6-4	3/8	9.52	3/8	9.52	1/4	6.35	4.8	5/8	15.87	11/16	17.46	11/16	17.46	9/16	14.28	23.1	23.1	23.1	30.46	30.46	29.28
ATR6-6-8	3/8	9.52	3/8	9.52	1/2	12.7	7.1	13/16	20.64	11/16	17.46	11/16	17.46	7/8	22.22	25.9	25.9	21.92	33.26	33.26	36.06
ATR8-4-6	1/2	12.7	1/4	6.35	3/8	9.52	4.8	13/16	20.64	7/8	22.22	9/16	14.28	11/16	17.46	25.9	25.9	25.9	36.06	33.26	33.26
ATR8-4-8	1/2	12.7	1/4	6.35	1/2	12.7	7.1	13/16	20.64	7/8	22.22	9/16	14.28	7/8	22.22	25.9	24.4	25.9	36.06	31.76	36.06
ATR8-6-6	1/2	12.7	3/8	9.52	3/8	9.52	7.1	13/16	20.64	7/8	22.22	11/16	17.46	11/16	17.46	25.9	25.9	25.9	36.06	33.26	33.26
ATR8-8-4	1/2	12.7	1/2	12.7	1/4	6.35	4.8	13/16	20.64	7/8	22.22	7/8	22.22	9/16	14.28	25.9	25.9	25.9	36.06	36.06	31.76
ATR8-8-6	1/2	12.7	1/2	12.7	3/8	9.52	7.1	13/16	20.64	7/8	22.22	7/8	22.22	11/16	17.46	25.9	25.9	24.4	36.06	36.06	33.26
ATR10-10-6	5/8	15.87	5/8	15.87	3/8	9.52	7.1	15/16	23.81	1	25.4	1	25.4	11/16	17.46	28.7	28.7	25.9	38.86	38.86	36.06
ATR12-8-12	3/4	19.05	1/2	12.7	3/4	19.05	10.41	1-1/16	26.98	1-1/8	28.57	7/8	22.22	1-1/8	28.57	29.71	29.71	28.7	39.87	39.87	39.87
ATR12-12-4	3/4	19.05	3/4	19.05	1/4	6.35	4.8	1-1/16	26.98	1-1/8	28.57	1-1/8	28.57	9/16	14.28	29.71	29.71	29.71	39.87	39.87	35.57
ATR12-12-6	3/4	19.05	3/4	19.05	3/8	9.52	7.1	1-1/16	26.98	1-1/8	28.57	1-1/8	28.57	11/16	17.46	29.71	29.71	28.21	39.87	39.87	35.57
ATR12-12-8	3/4	19.05	3/4	19.05	1/2	12.7	10.41	1-1/16	26.98	1-1/8	28.57	1-1/8	28.57	7/8	22.22	29.71	29.71	29.71	39.87	39.87	38.37
ATR12-12-16	3/4	19.05	3/4	19.05	1	25.4	16	1-3/8	34.92	1-1/8	28.57	1-1/8	28.57	1-1/2	38.1	34.43	34.43	29.71	49.02	49.02	45.7
ATR12-12-20	3/4	19.05	3/4	19.05	1-1/4	31.75	16	1-11/16	42.86	1-1/8	28.57	1-1/8	28.57	1-7/8	47.63	39.41	39.41	36.83	49.57	49.57	66.55
ATR14-14-8	7/8	22.22	7/8	22.22	1/2	12.7	10.41	1-1/4	31.75	1-1/4	31.75	1-1/4	31.75	7/8	22.22	34.54	34.54	44.45	44.7	44.7	44.7
ATR16-12-12	1	25.4	3/4	19.05	3/4	19.05	16	1-3/8	34.92	1-1/2	38.1	1-1/8	28.57	1-1/8	28.57	36.83	35.54	34.54	49.02	45.7	45.7
ATR16-16-4	1	25.4	1	25.4	1/4	6.35	4.8	1-3/8	34.92	1-1/2	38.1	1-1/2	38.1	9/16	14.28	36.83	36.83	35.54	49.02	49.02	40.4
ATR16-16-6	1	25.4	1	25.4	3/8	9.52	7.1	1-3/8	34.92	1-1/2	38.1	1-1/2	38.1	11/16	17.46	36.83	36.83	33.04	49.02	49.02	41.9
ATR16-16-8	1	25.4	1	25.4	1/2	12.7	10.41	1-3/8	34.92	1-1/2	38.1	1-1/2	38.1	7/8	22	36.83	36.83	34.54	49.02	49.02	44.7
ATR16-16-12	1	25.4	1	25.4	3/4	19.05	16	1-3/8	34.92	1-1/2	38.1	1-1/2	38.1	1-1/8	22	36.83	36.83	34.54	49.02	49.02	45.7
ATR20-12-12	1-1/4	31.75	3/4	19.05	3/4	19.05	16	1-11/16	42.86	1-7/8	47.63	1-1/8	28.57	1-1/8	28.57	44.45	39.41	35.54	66.55	49.57	49.57
ATR20-20-12	1-1/4	31.75	1-1/4	31.75	3/4	19.05	16	1-11/16	42.86	1-7/8	47.63	1-7/8	47.63	1-1/8	28.57	44.45	44.45	39.41	66.55	66.55	49.57
ATR24-20-20	1-1/2	38.1	1-1/4	31.75	1-1/4	31.75	27.69	2	50.8	2-1/4	57.15	1-7/8	47.63	1-7/8	47.63	50.8	49.62	39.41	77.97	71.72	71.72
ATR24-24-8	1-1/2	38.1	1-1/2	38.1	1/2	12.7	10.41	2	50.8	2-1/4	57.15	2-1/4	57.15	7/8	22.22	50.8	50.8	49.62	77.97	77.97	54.74
ATR24-24-12	1-1/2	38.1	1-1/2	38.1	3/4	19.05	16	2	50.8	2-1/4	57.15	2-1/4	57.15	1-1/8	28.57	50.8	50.8	44.58	77.97	77.97	54.74
ATR24-24-16	1-1/2	38.1	1-1/2	38.1	1	25.4	22.3	2	50.8	2-1/4	57.15	2-1/4	57.15	1-1/2	38.1	50.8	50.8	44.58	77.97	77.97	59.94

Reducing Union Tee

ATR



Connects metric tube

Part No.	Port 1	Port 2	Port 3	O Min	Width Across Flat				I	I1	I2	L	L1	L2
	D	D1	D2		h	H	H1	H2						
ATR3M-3M-6M	3	3	6	2.4	12.7	12	12	14	18	18	19.6	24.6	24.6	27
ATR8M-8M-6M	8	8	6	4.8	15	16	16	14	21.3	21.3	20.5	28.8	28.8	28
ATR10M-10M-6M	10	10	6	4.8	17.4	19	19	14	23.9	23.9	22.4	31.5	31.5	29.8
ATR10M-10M-12M	10	10	12	7.9	20.6	19	19	22	25.9	25.9	25.9	33.5	33.5	36
ATR12M-6M-10M	12	6	10	4.8	20.6	22	14	19	25.9	24.4	25.9	36	31.8	33.5
ATR12M-6M-12M	12	6	12	4.8	20.6	22	14	22	25.9	24.4	25.9	36	31.8	36
ATR12M-10M-10M	12	10	10	7.9	20.6	22	19	19	25.9	25.9	25.9	36	33.5	33.5
ATR12M-12M-10M	12	12	10	7.9	20.6	22	22	19	25.9	25.9	25.9	36	36	33.5
ATR12M-12M-6M	12	12	6	4.8	20.6	22	22	14	25.9	25.9	24.4	36	36	31.8
ATR15M-15M-12M	15	15	12	9.8	25.4	25	25	22	28.7	28.7	28.7	38.8	38.8	38.8
ATR16M-16M-12M	16	16	12	9.8	25.4	25	25	22	28.7	28.7	28.7	38.8	38.8	38.8
ATR18M-18M-12M	18	18	12	9.8	27	30	30	22	29.7	29.7	28.2	39.8	39.8	38.3
ATR20M-12M-20M	20	12	20	9.8	34.9	32	22	32	32.5	32.5	32.5	42.6	42.6	42.6
ATR20M-20M-6M	20	20	6	4.8	34.9	32	32	14	32.5	32.5	31	42.6	42.6	38.4
ATR20M-20M-10M	20	20	10	7.9	34.9	32	32	19	32.5	32.5	32.5	42.6	42.6	40.1
ATR20M-20M-12M	20	20	12	9.8	34.9	32	32	22	32.5	32.5	32.5	42.6	42.6	42.6
ATR20M-20M-25M	20	20	25	15.9	34.9	32	32	38	34.3	34.3	36.8	44.4	44.4	49.1
ATR20M-20M-32M	20	20	32	15.9	46	32	32	50	42.5	42.5	49.3	52.6	52.6	72.3
ATR22M-22M-12M	22	22	12	9.8	34.9	32	32	22	32.5	32.5	32.5	42.6	42.6	42.6
ATR25M-20M-20M	25	20	20	15.9	34.9	38	32	32	36.8	34.3	34.3	49.1	44.4	44.4
ATR25M-25M-10M	25	25	10	7.9	34.9	38	38	19	36.8	36.8	34.3	49.1	49.1	38.9
ATR25M-25M-12M	25	25	12	9.8	34.9	38	38	22	36.8	36.8	34.3	49.1	49.1	44.4
ATR25M-25M-20M	25	25	20	15.9	34.9	38	38	32	36.8	36.8	34.3	49.1	49.1	44.4
ATR32M-32M-20M	32	32	20	15.9	46	38	38	32	49.3	49.3	42.5	72.3	72.3	52.6
ATR38M-32M-32M	38	32	32	28.6	50.8	60	38	38	56.4	54.7	54.7	84	77.7	77.7
ATR38M-38M-20M	38	38	20	15.9	50.8	60	60	32	56.4	56.4	47.9	84	84	58
ATR38M-38M-25M	38	38	25	21.8	50.8	60	60	38	56.4	56.4	50.4	84	84	62.7