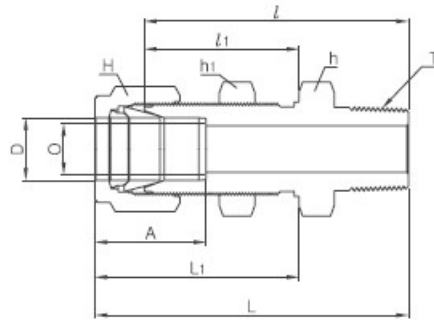
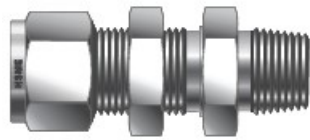


AMCB-N



Connects fractional tube to female NPT thread

Part No.	Tube O.D		T NPT	O Min	Width Across Flat								Panel Hole Drill size	Panel Max Thickness			
	D				h	h1	H	A	I	I1	L	L1					
	in	mm													in	mm	in
AMCB2-2N	1/8	3.17	1/8	2.28	1/2	12.7	1/2	12.7	7/16	11.11	12.7	39.87	24.63	46.48	31.24	8.33	12.7
AMCB4-2N	1/4	6.35	1/8	4.82	5/8	15.87	5/8	15.87	9/16	14.28	15.24	42.16	26.16	49.53	33.52	11.5	10.16
AMCB4-4N	1/4	6.35	1/4	4.82	5/8	15.87	5/8	15.87	9/16	14.28	15.24	45.97	26.16	53.34	33.52	11.5	10.16
AMCB6-4N	3/8	9.52	1/4	7.11	3/4	19.05	3/4	19.05	11/16	17.46	16.76	50.03	29.46	57.4	36.83	14.68	11.17
AMCB6-6N	3/8	9.52	3/8	7.11	3/4	19.05	3/4	19.05	11/16	17.46	16.76	50.03	29.46	57.4	36.83	14.68	11.17
AMCB6-8N	3/8	9.52	1/2	7.11	7/8	22.22	3/4	19.05	11/16	17.46	16.76	56.38	29.46	63.75	36.83	14.68	11.17
AMCB8-6N	1/2	12.7	3/8	9.39	15/16	23.81	15/16	23.81	7/8	22.22	22.86	53.08	31.75	63.24	41.91	19.44	12.7
AMCB8-8N	1/2	12.7	1/2	10.41	15/16	23.81	15/16	23.81	7/8	22.22	22.86	58.67	31.75	68.83	41.91	19.44	12.7
AMCB12-12N	3/4	19.05	3/4	15.74	1-3/16	30.16	1-3/16	30.16	1-1/8	28.58	24.38	66.04	37.33	76.2	47.49	25.76	16.76
AMCB16-16N	1	25.4	1	22.35	1-5/8	41.28	1-5/8	41.28	1-1/2	38.1	31.24	81.02	45.21	93.21	57.4	33.73	19.05
AMCB20-20N	1-1/4	31.75	1-1/4	27.68	1-7/8	47.63	1-7/8	47.63	1-7/8	47.63	41.14	85.97	47.75	108.07	69.85	41.67	19.05
AMCB24-24N	1-1/2	38.1	1-1/2	34.03	2-1/4	57.15	2-1/4	57.15	2-1/4	57.15	50.03	93.03	49.27	120.21	76.45	49.61	19.05
AMCB32-32N	2	50.8	2	45.97	2-3/4	69.85	2-3/4	69.85	3	76.2	67.56	107.29	56.38	144.62	93.71	16.27	19.05

Connects metric tube to female NPT thread

Part No.	Tube O.D		T NPT	O Min	Width Across Flat				A	I	I1	L	L1	Panel Hole	Panel Max
	D				h	h1	H								
	in	mm													
AMCB6M-2N	6	1/8	2.28	16	16	14	15.3	42.2	26.2	49.6	33.6	11.5	10.2		
AMCB6M-4N	6	1/4	4.82	16	16	14	15.3	46.2	26.2	53.6	33.6	11.5	10.2		
AMCB6M-6N	6	3/8	4.82	16	16	14	15.3	46.2	26.2	53.6	33.6	11.5	10.2		
AMCB6M-8N	6	1/4	7.11	16	16	14	15.3	52.6	26.2	60	33.6	11.5	10.2		
AMCB8M-6N	8	3/8	7.11	18	18	16	16.2	50	28.6	57.5	36.1	13.1	11.2		
AMCB10M-4N	10	1/4	7.11	22	22	19	17.2	50	29.4	57.5	37	16.2	11.2		
AMCB10M-6N	10	3/8	9.39	22	22	19	17.2	50	29.4	57.5	37	16.2	11.2		
AMCB10M-8N	10	1/2	10.41	22	22	19	17.2	55.9	29.4	63.5	37	16.2	11.2		
AMCB12M-6N	12	3/8	15.74	24	24	22	22.8	53.3	31.8	63.4	41.9	19.5	12.7		
AMCB12M-8N	12	1/2	22.35	24	24	22	22.8	58.7	31.8	68.8	41.9	19.5	12.7		
AMCB20M-20N	1-1/4	1-1/4	27.68	1-7/8	1-7/8	1-7/8	41.14	85.97	47.75	108.07	69.85	41.67	19.05		
AMCB24M-24N	1-1/2	1-1/2	34.03	2-1/4	2-1/4	2-1/4	50.03	93.03	49.27	120.21	76.45	49.61	19.05		
AMCB32M-32N	2	2	45.97	2-3/4	2-3/4	3	67.56	107.29	56.38	144.62	93.71	16.27	19.05		