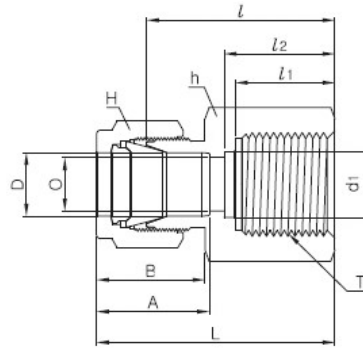


# Female Gauge Connector

## ACF-GG



### Connects fractional tube to Gauge (male ISO parallel thread)

Part No.	Tube O.D.		T PF	O Min	O1	Width Across Flat								
	D					h	H	A	B	I	I1	L		
	in	mm											in	mm
ACF2-4GG	1/8	3.17	1/4	2.4	5.5	3/4	19.05	7/16	11.11	12.7	15.24	28.7	13	35.31
ACF4-2GG	1/4	6.35	1/8	4.82	-	9/16	14.28	9/16	14.28	15.24	17.78	26.3	12	33.55
ACF4-4GG	1/4	6.35	1/4	4.82	5.5	3/4	19.05	9/16	14.28	15.24	17.78	30.22	13	37.59
ACF4-6GG	1/4	6.35	1/8	4.82	6.5	15/16	23.81	9/16	14.28	15.24	17.78	30.22	14.22	37.59
ACF4-8GG	1/4	6.35	1/2	4.82	7	1-1/16	26.98	9/16	14.28	15.24	17.78	30.07	18.8	43.43
ACF5-4GG	5/16	7.93	1/4	5.58	5.5	3/4	19.05	5/8	15.87	16.25	18.54	30.98	13	38.35
ACF5-8GG	5/16	7.93	1/2	7.11	7	1-1/16	26.98	5/8	15.87	16.25	18.54	33.02	18.8	40.38
ACF6-4GG	3/8	9.52	1/4	5.58	5.5	3/4	19.05	11/16	17.46	16.76	19.3	31.75	12.95	39.12
ACF6-6GG	3/8	9.52	3/8	6.6	6.5	15/16	23.81	11/16	17.46	16.76	19.3	31.24	14.22	38.61
ACF6-8GG	3/8	9.52	1/2	7.11	7	1-1/16	26.98	11/16	17.46	16.76	19.3	34.54	18.8	41.91
ACF8-4GG	1/2	12.7	1/4	5.5	5.5	7/8	22.22	7/8	22.22	22.86	21.84	31.8	13	41.95
ACF8-6GG	1/2	12.7	3/8	6.6	6.5	15/16	23.81	7/8	22.22	22.86	21.84	34.29	14.24	44.45
ACF8-8GG	1/2	12.7	1/2	7.11	7	1-1/16	26.98	7/8	22.22	22.86	21.84	38.1	18.8	48.26

### Connects metric tube to Gauge (male ISO parallel thread)

Part No.	Tube O.D.		T PF	O Min	Width Across Flat						
	D				h	H	A	B	I	I1	L
ACF3M-4GG	3		1/4	2.4	19	12	12.9	15.3	28.7	13	35.3
ACF6M-4GG	6		1/4	4.8	19	14	15.3	17.7	30.2	13	37.6
ACF6M-6GG	6		3/8	4.8	24	14	15.3	17.7	30.2	14	37.6
ACF6M-8GG	6		1/2	4.8	27	14	15.3	17.7	36.3	19	43
ACF8M-4GG	8		1/4	5.5	19	16	16.2	18.6	31	13	38.5
ACF8M-6GG	8		3/8	6.5	24	16	16.2	18.6	28.7	14	36.2
ACF8M-8GG	8		1/2	7	27	16	16.2	18.6	33	19	40.5
ACF10M-4GG	10		1/4	5.5	19	19	17.2	19.5	31.8	13	39.4
ACF10M-6GG	10		3/8	6.5	24	19	17.2	19.5	31.2	14	38.8
ACF10M-8GG	10		1/2	7	27	19	17.2	19.5	33.8	19	41.4
ACF12M-4GG	12		1/4	5.5	22	22	22.8	22	31.8	13	41.9
ACF12M-6GG	12		3/8	6.5	24	22	22.8	22	34.3	14	44.4
ACF12M-8GG	12		1/2	7	27	22	22.8	22	38.1	19	48.2
ACF20M-8GG	20		1/2	7	30	32	26	22	44.2	19	54.3
ACF22M-8GG	22		1/2	7	30	32	26	22	44.2	19	54.3