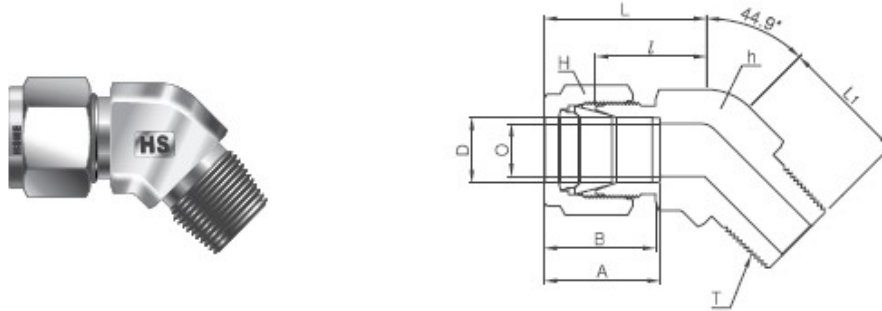


# 45° Male Elbow

## ALBM-N



### Connects fractional tube to female NPT thread

Part No.	Tube O.D.		T NPT	O Min	Width Across Flat								
	D				h	H	A	B	I	L	L1		
	in	mm										in	mm
ALBM2-2N	1/8	3.17	1/8	2.4	1/2	12.7	7/16	11.11	12.7	15.24	15.77	22.38	16.51
ALBM4-2N	1/4	6.35	1/8	4.82	1/2	12.7	9/16	14.28	15.24	17.78	17.27	24.63	16.51
ALBM4-4N	1/4	6.35	1/4	4.82	1/2	12.7	9/16	14.28	15.24	17.78	17.27	24.63	21.08
ALBM6-2N	3/8	9.52	1/8	4.82	5/8	15.87	11/16	17.46	16.76	19.3	20.57	27.94	18.28
ALBM6-4N	3/8	9.52	1/4	7.11	5/8	15.87	11/16	17.46	16.76	19.3	20.57	27.94	22.86
ALBM6-6N	3/8	9.52	3/8	7.11	13/16	20.64	11/16	17.46	16.76	19.3	21.84	29.21	24.13
ALBM8-6N	1/2	12.7	3/8	9.65	13/16	20.64	7/8	22.22	22.86	21.84	21.84	32	24.13
ALBM8-8N	1/2	12.7	1/2	10.41	13/16	20.64	7/8	22.22	22.86	21.84	21.84	32	28.95
ALBM12-12N	3/4	19.05	3/4	15.74	1-1/8	28.58	1-1/8	28.58	24.38	21.84	23.87	34.03	30.98
ALBM16-16N	1	25.4	1	22.35	1-3/8	34.93	1-1/2	38.1	31.24	26.41	28.19	40.38	37.84

### Connects metric tube to female NPT thread

Part No.	Tube O.D.		T NPT	O Min	Width Across Flat		A	B	I	L	L1
	D				h	H					
	in	mm									
ALBM6M-4N	6	6	1/4	4.8	12.7	14	15.3	17.7	21.8	29.4	22.9
ALBM12M-8N	12	12	1/2	9.5	20.64	22	22.8	22	21.8	31.9	29