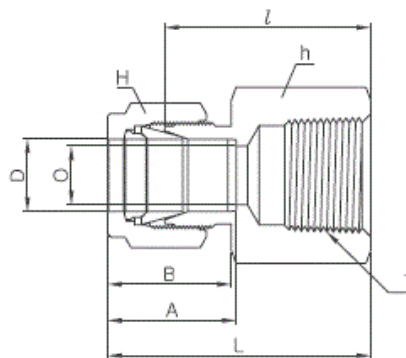
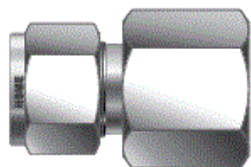


# Female Connector

## ACF-N

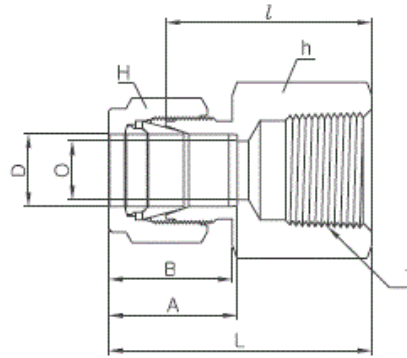
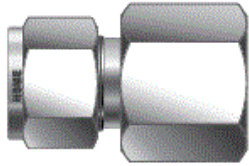


Connects fractional tube to male NPT thread

Part No.	Tube O.D.		T NPT	O Min	Width Across Flat							
	D				h	H	A	B	I	L		
	in	mm									in	mm
ACF1-1N	1/16	1.59	1/16	1.27	7/16	11.11	5/16	7.93	8.63	10.92	19.81	23.62
ACF1-2N	1/16	1.59	1/8	1.27	9/16	14.28	5/16	7.93	8.63	10.92	20.57	24.38
ACF2-2N	1/8	3.17	1/8	2.28	9/16	14.28	7/16	11.11	12.7	15.24	22.09	28.7
ACF2-4N	1/8	3.17	1/4	2.28	3/4	19.05	7/16	11.11	12.7	15.24	26.92	33.52
ACF3-2N	3/16	4.76	1/8	3.04	9/16	14.28	1/2	12.7	13.71	16	23.11	29.71
ACF4-2N	1/4	6.35	1/8	4.82	9/16	14.28	9/16	14.28	15.24	17.78	23.87	31.24
ACF4-4N	1/4	6.35	1/4	4.82	3/4	19.05	9/16	14.28	15.24	17.78	28.44	35.81
ACF4-6N	1/4	6.35	3/8	4.82	7/8	22.22	9/16	14.28	15.24	17.78	30.22	37.59
ACF4-8N	1/4	6.35	1/2	4.82	1-1/16	26.98	9/16	14.28	15.24	17.78	35.05	42.41
ACF5-2N	5/16	7.93	1/8	6.35	9/16	14.28	5/8	15.87	16.25	18.54	24.63	32
ACF5-4N	5/16	7.93	1/4	6.35	3/4	19.05	5/8	15.87	16.25	18.54	29.46	36.83
ACF6-2N	3/8	9.52	1/8	7.11	5/8	15.87	11/16	17.46	17.46	16.76	19.3	25.4
ACF6-4N	3/8	9.52	1/4	7.11	3/4	19.05	11/16	17.46	16.76	19.3	30.22	37.59
ACF6-6N	3/8	9.52	3/8	7.11	7/8	22.22	11/16	17.46	16.76	19.3	31.75	39.11
ACF6-8N	3/8	9.52	1/2	7.11	1-1/16	26.98	11/16	17.46	16.76	19.3	36.57	43.94
ACF6-12N	3/8	9.52	3/4	7.11	1-5/16	33.33	11/16	17.46	16.76	19.3	40.38	47.45
ACF8-4N	1/2	12.7	1/4	10.41	1-3/16	20.64	7/8	22.22	22.86	21.84	30.22	40.38
ACF8-6N	1/2	12.7	3/8	10.41	7/8	22.22	7/8	22.22	22.86	21.84	31.75	41.91
ACF8-8N	1/2	12.7	1/2	10.41	1-1/16	26.98	7/8	22.22	22.86	21.84	36.57	46.73
ACF8-12N	1/2	12.7	3/4	10.41	1-5/16	33.33	7/8	22.22	22.86	21.84	38.1	48.26
ACF10-6N	5/8	15.87	3/8	12.7	15/16	23.81	1	25.4	24.38	21.84	31.75	41.91
ACF10-8N	5/8	15.87	1/2	12.7	1-1/16	26.98	1	25.4	24.38	21.84	36.57	46.73
ACF10-12N	5/8	15.87	3/4	12.7	1-5/16	33.33	1	25.4	24.38	21.84	38.1	48.26
ACF12-8N	3/4	19.05	1/2	15.74	1-1/16	26.98	1-1/8	28.58	24.38	21.84	36.57	46.73
ACF12-12N	3/4	19.05	3/4	15.74	1-5/16	33.33	1-1/8	28.58	24.38	21.84	38.1	48.26
ACF14-12N	7/8	22.22	3/4	18.28	1-5/16	33.33	1-1/4	31.75	25.9	21.84	39.62	49.78
ACF16-12N	1	25.4	3/4	22.35	1-3/8	34.92	1-1/2	38.1	31.24	26.41	41.14	53.34
ACF16-16N	1	25.4	1	22.35	1-5/8	41.27	1-1/2	38.1	31.24	26.41	50.03	62.23
ACF20-20N	1-1/4	31.75	1-1/4	27.68	2-1/8	53.98	1-7/8	47.63	41.14	38.86	52.57	74.67
ACF24-24N	1-1/2	38.1	1-1/2	34.03	2-3/8	60.33	2-1/4	57.15	50.03	45.21	56.13	83.81
ACF32-32N	2	50.8	2	45.97	2-1/8	73.03	3	76.2	67.56	62.73	64.26	101.6

# Female Connector

## ACF-N



Connects metric tube to male NPT thread

Part No.	Tube O.D.	T	O	Width Across Flat		A	B	I	L
	D	NPT	Min	h	H				
ACF3M-2N	3	1/8	2.4	14	12	12.9	15.3	22.1	28.7
ACF3M-4N	3	1/4	2.4	19	12	12.9	15.3	26.9	33.5
ACF4M-2N	4	1/8	2.4	14	12	13.7	16.1	23.1	29.7
ACF6M-2N	6	1/8	4.8	14	14	15.3	17.7	23.9	31.3
ACF6M-4N	6	1/4	4.8	19	14	15.3	17.7	28.4	35.8
ACF6M-6N	6	3/8	4.8	22	14	15.3	17.7	29.5	36.9
ACF6M-8N	6	1/2	4.8	27	14	15.3	17.7	35.1	42.5
ACF8M-2N	8	1/8	6.4	15	16	16.2	18.6	24.6	32.1
ACF8M-4N	8	1/4	6.4	19	16	16.2	18.6	29.5	37
ACF8M-6N	8	3/8	6.4	22	16	16.2	18.6	30.2	37.7
ACF8M-8N	8	1/2	6.4	27	16	16.2	18.6	35.8	43.3
ACF10M-2N	10	1/8	7.9	18	19	17.2	19.5	25.4	33
ACF10M-4N	10	1/4	7.9	19	19	17.2	19.5	30.2	37.8
ACF10M-6N	10	3/8	7.9	22	19	17.2	19.5	31	38.6
ACF10M-8N	10	1/2	7.9	27	19	17.2	19.5	36.6	44.2
ACF12M-2N	12	1/8	8.3	22	22	22.8	22	28.4	38.5
ACF12M-4N	12	1/4	9.5	22	22	22.8	22	30.2	40.3
ACF12M-6N	12	3/8	9.5	22	22	22.8	22	31	41.1
ACF12M-8N	12	1/2	9.5	27	22	22.8	22	36.6	46.7
ACF12M-12N	12	3/4	9.5	35	22	22.8	22	38.9	49
ACF15M-8N	15	1/2	11.9	27	25	24.4	22	36.6	46.7
ACF16M-8N	16	1/2	12.7	27	25	24.4	22	36.8	46.9
ACF20M-8N	20	1/2	15.9	30	32	26	22	37.8	47.9
ACF20M-12N	20	3/4	15.9	35	32	26	22	39.6	49.7
ACF22M-12N	22	3/4	18.3	35	32	26	22	39.6	49.7
ACF22M-16N	22	1	18.3	41	32	26	22	47.8	57.9
ACF25M-12N	25	3/4	21.8	35	38	31.3	26.5	41.1	53.4
ACF25M-16N	25	1	21.8	41	38	31.3	26.5	50	62.3