

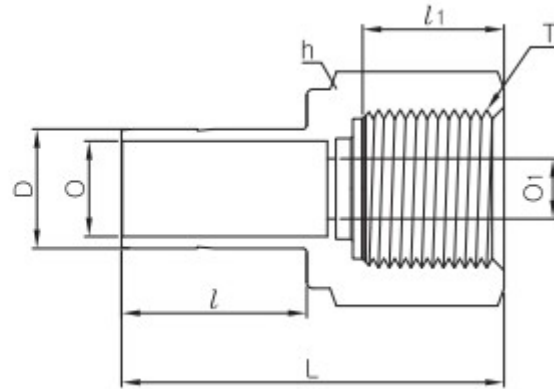
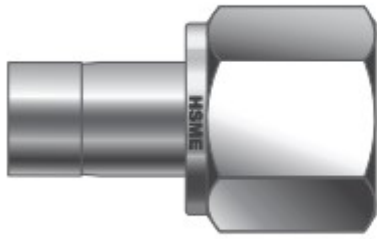
Female Gauge Tube Adapter

AAF-GG

M Tube Fitting

1 / 1

PAGE



Connects fractional M Tube fitting port to Gauge (Male ISO parallel thread)

Part No.	Tube O.D.		T G(PF)	O Min	O1	Width Across Flat				
	D					h	l	l1	L	
	in	mm								in
AAF4-2GG	1/4	6.35	1/8	4.57	4.57	9/16	14.28	15.75	12	32
AAF4-4GG	1/4	6.35	1/4	4.57	5.5	3/4	19.05	15.75	12.9	35.3
AAF6-6GG	3/8	9.52	3/8	7.11	6.5	7/8	22.22	17.5	14.1	39.37
AAF8-8GG	1/2	12.7	1/2	9.9	7	1-1/16	26.98	23.2	18.9	45.72

Connects metric M Tube fitting port to Gauge (Male ISO parallel thread)

Part No.	Tube O.D.		T G(PF)	O Min	O	Width Across Flat			
	D					h	l	l1	L
	mm	mm							
AAF6M-2GG	6M	6	1/8	4	4	14	15.7	12	32
AAF6M-4GG	6M	6	1/4	4	5.5	19	15.7	13	35.3
AAF6M-6GG	6M	6	3/8	4	6.5	24	15.7	14.22	38.4
AAF6M-8GG	6M	6	1/2	4	7	27	15.7	18.9	42.9
AAF8M-4GG	8M	8	1/4	5.6	5.5	19	16.8	13	33
AAF8M-6GG	8M	8	3/8	5.6	6.5	24	16.8	14.22	39.3
AAF8M-8GG	8M	8	1/2	5.6	7	27	16.8	18.9	43.7
AAF10M-4GG	10M	10	1/4	7.7	5.5	19	17.5	13	34.5
AAF10M-6GG	10M	10	3/8	7.7	6.5	24	17.5	14.22	39.3
AAF10M-8GG	10M	10	1/2	7.7	7	27	17.5	18.9	40.1
AAF12M-4GG	12M	12	1/4	9.1	5.5	19	23.1	13	40.1
AAF12M-6GG	12M	12	3/8	9.1	6.5	24	23.1	14.22	44.9
AAF12M-8GG	12M	12	1/2	9.1	7	27	23.1	18.9	48.8
AAF15M-8GG	15M	15	1/2	12	7	27	24.65	18.9	49
AAF16M-8GG	16M	16	1/2	12	7	27	24.6	18.9	49
AAF18M-8GG	18M	18	1/2	13.9	7	27	24.9	18.9	49.3
AAF22M-8GG	22M	22	1/2	18.3	7	27	26.6	18.9	52
AAF25M-8GG	25M	25	1/2	19.8	7	30	31.7	18.9	56.1