

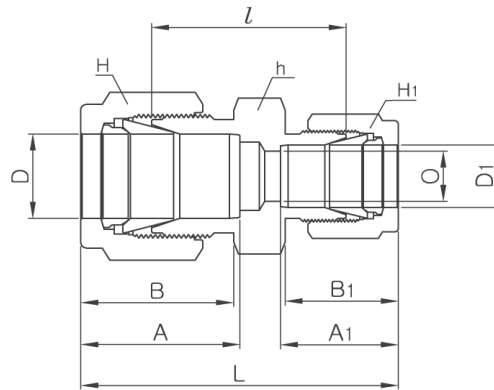
Reducing Union

AUR

M Tube Fitting

PAGE

1 / 2



Connects Fractional Tubes

Part No.	Tube O.D.		d Min	Width Across Flat			A	A ₁	B	B ₁	l	L
	D (inch)	D ₁ (inch)		h (inch)	H (inch)	H ₁ (inch)						
ARU 2 - 1	1/8	1/16	1.27	7/16	7/16	5/16	12.7	8.63	15.24	10.92	20.6	31
ARU 3 - 2	3/16	1/8	2.28	7/16	1/2	7/16	13.71	12.7	16	15.24	23.36	36.57
ARU 4 - 2	1/4	1/8	2.28	1/2	9/16	7/16	15.24	12.7	17.78	15.24	24.63	38.6
ARU 4 - 3	1/4	3/16	3.04	1/2	9/16	1/2	15.24	13.71	17.78	16	25.4	39.37
ARU 5 - 2	5/16	1/8	2.28	9/16	5/8	7/16	16.25	12.7	18.54	15.24	25.9	39.87
ARU 5 - 4	5/16	1/4	4.82	9/16	5/8	9/16	16.25	15.24	18.54	17.78	27.43	42.16
ARU 6 - 2	3/8	1/8	2.28	5/8	11/16	7/16	16.76	12.7	19.3	15.24	26.92	40.89
ARU 6 - 4	3/8	1/4	4.82	5/8	11/16	9/16	16.76	15.24	19.3	17.78	28.44	43.18
ARU 6 - 5	3/8	5/16	6.35	5/8	11/16	5/8	16.76	16.25	19.3	18.54	29.46	44.19
ARU 8 - 2	1/2	1/8	2.28	13/16	7/8	7/16	22.86	12.7	21.84	15.24	28.44	45.21
ARU 8 - 4	1/2	1/4	4.82	13/16	7/8	9/16	22.86	15.24	21.84	17.78	29.46	46.99
ARU 8 - 6	1/2	3/8	7.11	13/16	7/8	11/16	22.86	16.76	21.84	19.3	30.98	48.51
ARU 10 - 6	5/8	3/8	7.11	15/16	1	11/16	24.38	16.76	21.84	19.3	31.75	49.27
ARU 10 - 8	5/8	1/2	10.41	15/16	1	7/8	24.38	22.86	21.84	21.84	31.75	52.07
ARU 12 - 4	3/4	1/4	4.82	1-1/16	1-1/8	9/16	24.38	15.24	21.84	17.78	31.75	49.27
ARU 12 - 6	3/4	3/8	7.11	1-1/16	1-1/8	11/16	24.38	16.76	21.84	19.3	33.27	50.8
ARU 12 - 8	3/4	1/2	10.41	1-1/16	1-1/8	7/8	24.38	22.86	21.84	21.84	33.27	53.59
ARU 12 - 10	3/4	5/8	12.7	1-1/16	1-1/8	1	24.38	24.38	21.84	21.84	33.27	53.59
ARU 16 - 8	1	1/2	10.41	1-3/8	1-1/2	7/8	31.24	22.86	26.41	21.84	40.89	63.24
ARU 16 - 12	1	3/4	15.74	1-3/8	1-1/2	1-1/8	31.24	24.38	26.41	21.84	40.38	62.73

Connects Metric Tubes

Part No.	Tube O.D.		d Min	Width Across Flat			A	A ₁	B	B ₁	I	L
	D	D ₁		h	H	H ₁						
ARU 6M- 3M	6	3	2.4	14	14	12	15.3	12.9	17.7	15.3	24.6	38.6
ARU 6M- 4M	6	4	2.4	14	14	12	15.3	13.7	17.7	16.1	25.4	39.4
ARU 8M- 6M	8	6	4.8	15	16	14	16.2	15.3	18.6	17.7	27.4	42.3
ARU 10M- 6M	10	6	4.8	18	19	14	17.2	15.3	19.5	17.7	29.5	44.5
ARU 10M- 8M	10	8	6.4	18	19	16	17.2	16.2	19.5	18.6	30	45.1
ARU 12M- 6M	12	6	4.8	22	22	14	22.8	15.3	22	17.7	29.5	47
ARU 12M- 8M	12	8	6.4	22	22	16	22.8	16.2	22	18.6	30.2	47.8
ARU 12M- 10M	12	10	7.9	22	22	19	22.8	17.2	22	19.5	31	48.7
ARU 16M- 12M	16	12	9.5	24	25	22	24.4	22.8	22	22	31.8	52
ARU 25M- 18M	25	18	15.1	35	38	30	31.3	24.4	26.5	22	38.6	61
ARU 25M- 20M	25	20	15.9	35	38	32	31.3	26	26.5	22	39.9	62.3

Connects Metric Tubes To Fractional Tubes

Part No.	Tube O.D.		d Min	Width Across Flat			A	A ₁	B	B ₁	I	L
	D	D ₁ (inch)		h	H	H ₁						
ARU 3M - 2	3	1/8	2.4	12	12	11.1	12.9	12.8	15.3	15.2	22.1	35.2
ARU 4M - 2	4	1/8	2.4	12	12	11.1	13.7	12.8	16.1	15.2	23.4	36.5
ARU 4M - 4	4	1/4	2.4	14	12	14.3	13.7	15.3	16.1	17.7	25.4	39.4
ARU 6M - 2	6	1/8	2.4	14	14	11.1	15.3	12.8	17.7	15.2	24.6	38.5
ARU 6M - 4	6	1/4	4.8	14	14	14.3	15.3	15.3	17.7	17.7	26.2	41
ARU 6M - 5	6	5/16	4.8	14	14	15.9	15.3	16.2	17.7	18.6	27.4	42.3
ARU 8M - 4	8	1/4	4.8	15	16	14.3	16.2	15.3	18.6	17.7	27.4	42.3
ARU 10M - 2	10	1/8	2.4	18	19	11.1	17.2	12.8	19.5	15.2	27.7	41.8
ARU 10M - 4	10	1/4	4.8	18	19	14.3	17.2	15.3	19.5	17.7	29.5	44.5
ARU 10M - 5	10	5/16	6.4	18	19	15.9	17.2	16.2	19.5	18.6	30	45.1
ARU 10M - 6	10	3/8	7.1	18	19	17.5	17.2	16.9	19.5	19.2	31	45.9
ARU 12M - 5	12	5/16	6.4	22	22	15.9	22.8	16.2	22	18.6	30.2	47.8
ARU 12M - 6	12	3/8	7.1	22	22	17.5	22.8	16.9	22	19.2	31	48.4
ARU 12M - 8	12	1/2	9.5	22	22	22.2	22.8	22.8	22	22	31	51.2
ARU 15M - 8	15	1/2	10.3	24	25	22.2	24.4	22.8	22	22	31.8	52
ARU 16M - 10	16	5/8	12.7	24	25	25.4	24.4	24.4	22	22	31.8	52
ARU 18M - 12	18	3/4	15.1	27	30	28.6	24.4	24.4	22	22	33.3	53.5
ARU 20M - 12	20	3/4	15.9	30	32	28.6	26	24.4	22	22	34.8	54.9
ARU 20M - 16	20	1	15.9	35	32	38.1	26	31.2	22	26.4	40.4	62.8
ARU 25M - 16	25	1	21.8	35	38	38.1	31.3	31.3	26.5	26.5	40.4	65