



Lever handle valves



Butterfly handle valves

Dielectric handle valves

Working Pressure:

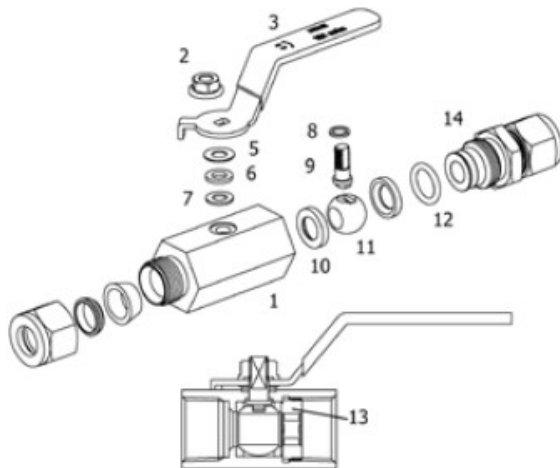
- Stainless & Brass with PTFE seats: 1000 psig (68.9 barg).
- Stainless with TFM seats: 2000 psig (137 barg).

Features

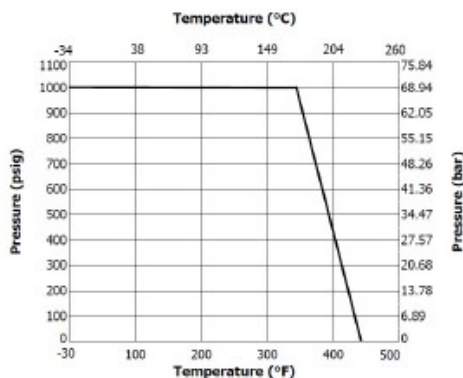
- Cold drawn hexagonal bar construction.
- Stainless Steel and Brass material standard.
- Lever handle standard, optional butterfly handle and Dielectric handle
- Blow-out proof design with internally loaded stem.
- Micro-finish ball for smooth valve actuation.
- Floating ball design provides seat wear compensation.
- Outstanding sealing performance across the pressure range.
- Tube adapter ends allow tubing connection in any direction.

Materials of Construction

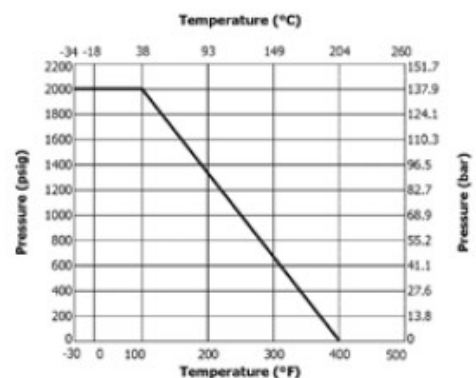
No.	Components		Valve Body Materials	
	Female End	M Tube Fitting End	Stainless Steel	Brass
			Material Grade/ASTM Standard	
1	Hexagonal Body		SS316/A276, A479	B16, JIS H3250
2	Lock Nut		SS304	
3	Handle		SS304 Lever handle with blue PVC sleeve	
4			Optional nickel-plated steel	
5	Spring Washer		Stainless Steel	
6	Gland		SS304/A276, A479	
7	Upper Packing		PTFE / D1710	
8	Lower Packing			
9	Stem		SS316/A276, A479	
10	Seat (2)		PTFE / D1710, optional TFM 1600	
11	Ball		SS316/A276	
12	-	O-Ring	FKM	NBR
13,14	13. Insert	14. End Connector	SS316/A276, A479	B16, JIS H3250



Pressure – Temperature Ratings

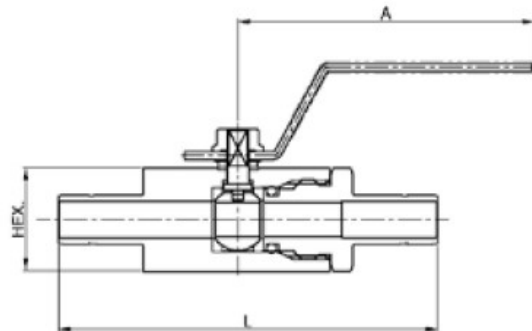
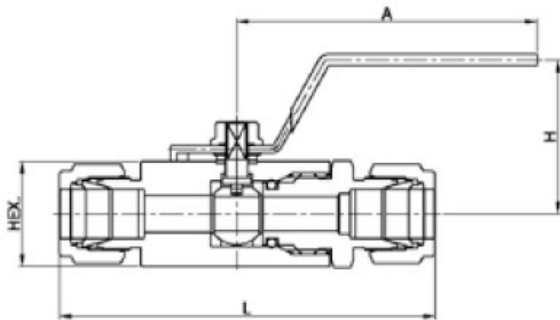


PTFE Seats on Stainless and Brass Valves



TFM 1600 Seats on Stainless Valves

Ordering Information and Dimensions



Tube Adapter End Valve

Ordering Number	End Connection	Cv	Orifice mm (in.)	Dimensions, mm (in.)			
				L	H	hex	A
VB1A-	A4T-SS	1/4 in. OD M Tube Fitting	5 (0.2)	79 (3.11)	31 (1.22)	17 (11/16)	59.5 (2.34)
	A4TA-SS	1/4 in. OD Tube Adapter		76 (2.99)			
	A6M-SS	6mm OD M Tube Fitting		79 (3.11)			
	F4N-SS	1/4 in. Female NPT		41.9 (1.65)			
VB1B-	A6T-SS	3/8 in. OD M Tube Fitting	7.5 (0.3)	90 (3.54)	40 (1.57)	20.64 (13/16)	81 (3.19)
	A6TA-SS	3.8 in. OD Tube Adapter		88.1 (34.7)			
	A10M-SS	10mm OD M Tube Fitting		90 (3.54)			
	F6N-SS	3/8 in. Female NPT		45 (1.77)			
VB1C-	A8T-SS	1/2 in. OD M Tube Fitting	9 (0.35)	98 (3.86)	42 (1.65)	27 (1 1/16)	102.5 (4.04)
	A8TA-SS	1/2 in. OD Tube Adapter		103.6 (4.08)			
	A12M-SS	12mm OD M Tube Fitting		98 (3.86)			
	F8N-SS	1/2 in. Female NPT		56.1 (2.21)			
VB1D-	A10T-SS	5/8 in. OD M Tube Fitting	12.5 (0.49)	108 (4.25)	51 (2.00)	32 (1 1/4)	102.5 (4.04)
	A12T-SS	3/4 in. OD M Tube Fitting		109 (4.29)			
	A16M-SS	16mm OD M Tube Fitting		108 (4.25)			
	F12N-SS	3/4 in. Female NPT		60 (2.36)			
VB1E-	A16T-SS	1 in. OD M Tube Fitting	16 (0.63)	133 (5.23)	55 (2.16)	38 (1 1/2)	102.5 (4.04)
	F16N-SS	1 in. Female NPT		78.1 (3.07)			

Dimensions are reference only, subject to change. Dimensions with M Tube Fittings are in finger-tight position.