

Metering Valve

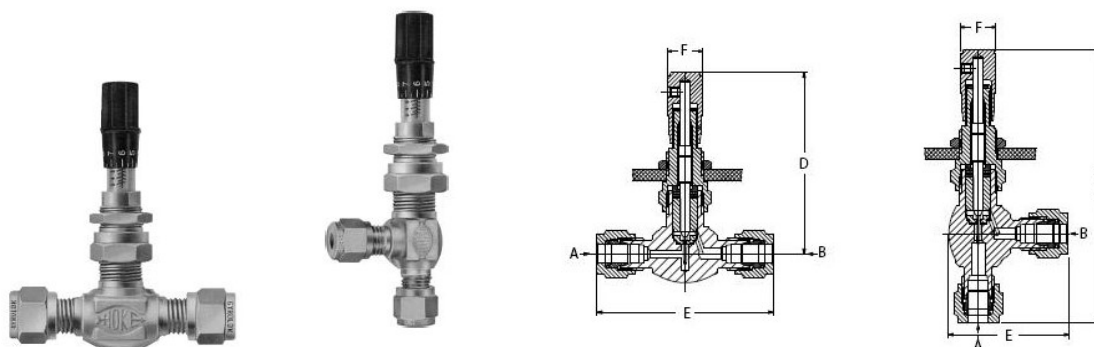
HOKE 1300 Series

Milli-Mite 1300 Series

Forged Metering Valves

Typical Applications

- Fine metering in medical and biochemical gas or vapor analysis
- Sampling and analyzing water and air pollution
- Chromatographs, mass spectrometers and other instruments where fine metering is required

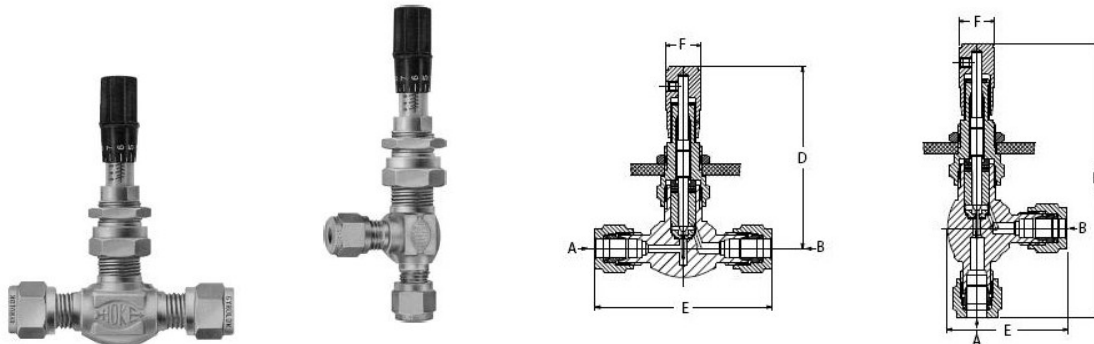


Results 1 - 25 of 41

Item #	Connections - Inlet	Connections - Outlet	Flow Pattern	Body Material	Operating Pressure Range	Operating Temperature Range	Cv	Stem
1335 M4Y	1/4" NPT Male	1/4" NPT Male	Globe	316 Stainless Steel	5000 psig at 70° F (345 bar at 21° C)	-65 to +450 °F -54 to +232 °C	0.010 in	1° STEM
1335G2Y	1/8" Gyrolok	1/8" Gyrolok	Globe	316 Stainless Steel	5000 psig at 70° F (345 bar at 21° C)	-65 to +450 °F -54 to +232 °C	0.010 in	1° STEM
1335G4Y	1/4" Gyrolok	1/4" Gyrolok	Globe	316 Stainless Steel	5000 psig at 70° F (345 bar at 21° C)	-65 to +450 °F -54 to +232 °C	0.010 in	1° STEM
1335G3YMM	3mm Gyrolok	3mm Gyrolok	Globe	316 Stainless Steel	5000 psig at 70° F (345 bar at 21° C)	-65 to +450 °F -54 to +232 °C	0.010 in	1° STEM
1335G6YMM	6mm Gyrolok	6mm Gyrolok	Globe	316 Stainless Steel	5000 psig at 70° F (345 bar at 21° C)	-65 to +450 °F -54 to +232 °C	0.010 in	1° STEM
1345H2Y	1/8" NPT Male	1/8" Gyrolok	Angle	316 Stainless Steel	5000 psig at 70° F (345 bar at 21° C)	-65 to +450 °F -54 to +232 °C	0.010 in	1° STEM
1345G2Y	1/8" Gyrolok	1/8" Gyrolok	Angle	316 Stainless Steel	5000 psig at 70° F (345 bar at 21° C)	-65 to +450 °F -54 to +232 °C	0.010 in	1° STEM
1345G4Y	1/4" Gyrolok	1/4" Gyrolok	Angle	316 Stainless Steel	5000 psig at 70° F (345 bar at 21° C)	-65 to +450 °F -54 to +232 °C	0.010 in	1° STEM
1345G3YMM	3mm Gyrolok	3mm Gyrolok	Angle	316 Stainless Steel	5000 psig at 70° F (345 bar at 21° C)	-65 to +450 °F -54 to +232 °C	0.010 in	1° STEM

Metering Valve

HOKE 1300 Series



1345G6YMM	6mm Gyrolok	6mm Gyrolok	Angle	316 Stainless Steel	5000 psig at 70° F (345 bar at 21° C)	-65 to +450 °F -54 to +232 °C	0.010 in	1° STEM
1315F2Y	1/8" NPT Female	1/8" NPT Female	Globe	316 Stainless Steel	5000 psig at 70° F (345 bar at 21° C)	-65 to +450 °F -54 to +232 °C	0.024 in	3° STEM
1315M4Y	1/4" NPT Male	1/4" NPT Male	Globe	316 Stainless Steel	5000 psig at 70° F (345 bar at 21° C)	-65 to +450 °F -54 to +232 °C	0.024 in	3° STEM
1315G2Y	1/8" Gyrolok	1/8" Gyrolok	Globe	316 Stainless Steel	5000 psig at 70° F (345 bar at 21° C)	-65 to +450 °F -54 to +232 °C	0.024 in	3° STEM
1315G4Y	1/4" Gyrolok	1/4" Gyrolok	Globe	316 Stainless Steel	5000 psig at 70° F (345 bar at 21° C)	-65 to +450 °F -54 to +232 °C	0.024 in	3° STEM
1315G3YMM	3mm Gyrolok	3mm Gyrolok	Globe	316 Stainless Steel	5000 psig at 70° F (345 bar at 21° C)	-65 to +450 °F -54 to +232 °C	0.024 in	3° STEM
1315G6YMM	6mm Gyrolok	6mm Gyrolok	Globe	316 Stainless Steel	5000 psig at 70° F (345 bar at 21° C)	-65 to +450 °F -54 to +232 °C	0.024 in	3° STEM
1325H2Y	1/8" NPT Male	1/8" Gyrolok	Angle	316 Stainless Steel	5000 psig at 70° F (345 bar at 21° C)	-65 to +450 °F -54 to +232 °C	0.024 in	3° STEM
1325G2Y	1/8" Gyrolok	1/8" Gyrolok	Angle	316 Stainless Steel	5000 psig at 70° F (345 bar at 21° C)	-65 to +450 °F -54 to +232 °C	0.024 in	3° STEM
1325G4Y	1/4" Gyrolok	1/4" Gyrolok	Angle	316 Stainless Steel	5000 psig at 70° F (345 bar at 21° C)	-65 to +450 °F -54 to +232 °C	0.024 in	3° STEM
1325G3YMM	3mm Gyrolok	3mm Gyrolok	Angle	316 Stainless Steel	5000 psig at 70° F (345 bar at 21° C)	-65 to +450 °F -54 to +232 °C	0.024 in	3° STEM
1325G6YMM	6mm Gyrolok	6mm Gyrolok	Angle	316 Stainless Steel	5000 psig at 70° F (345 bar at 21° C)	-65 to +450 °F -54 to +232 °C	0.024 in	3° STEM
1335H2B	1/8" NPT Male	1/8" Gyrolok	Globe	Brass	3000 psig at 70° F (207 bar at 21° C)	-65 to +400 °F -54 to +240 °C	0.010 in	1° STEM
1335M2B	1/8" NPT Male	1/8" NPT Male	Globe	Brass	3000 psig at 70° F (207 bar at 21° C)	-65 to +400 °F -54 to +240 °C	0.010 in	1° STEM
1335M4B	1/4" NPT Male	1/4" NPT Male	Globe	Brass	3000 psig at 70° F (207 bar at 21° C)	-65 to +400 °F -54 to +240 °C	0.010 in	1° STEM
1335G2B	1/8" Gyrolok	1/8" Gyrolok	Globe	Brass	3000 psig at 70° F (207 bar at 21° C)	-65 to +400 °F -54 to +240 °C	0.010 in	1° STEM