

Diaphragm Valve STD TYPE

HIGH FLOW DIAPHRAGM VALVE

VALVE

PAGE

1 / 2



FEATURES

- Internally threadless and springless
- Fully functional from a vacuum to 275psig
- Aerodynamic, fully swept flow passages
- Minimum particle generation and particle areas
- 100% Helium leak tested

Major Specifications

Size	1/2"	3/4", 1"
Cv Value	28	35
Max. Working Pressure (G.)	1,86MPa	
Max. Working Temp.	-10℃ ~ 80℃	
Internal Leakage Allowance (He) Test Pressure $\leq 1 \times 10^{-2}$ Torr Holding Time ≥ 30 sec.	1×10^{-10} Pa · m ³ /s	
External Leakage Allowance (He) Test Pressure $\leq 1 \times 10^{-2}$ Torr Holding Time ≥ 1 min.	1×10^{-10} Pa · m ³ /s	
Particle Inspection (EP only) Pressure : 60-80psi N ₂ Gas Sample Volume : 1CFM 0.1 μ m and Larger	No count	

Product Grade

GRADE	AP	BA	EP
Inner Surface Roughness	Ry $\leq 25\mu$ m Cut off Length : 2,5mm Measuring Length : 125mm	Ry $\leq 3,0\mu$ m 10 μ inch Ra(Avg.) Cut off Length : 0,8mm Measuring Length : 4mm	Ry $\leq 0,7\mu$ m 5 μ inch Ra(Avg.) Cut off Length : 0,25mm Measuring Length : 1,25mm
Polishing	Machining Finish	Machining Finish	Electro Polishing Finish

NINE TECH

www.ninetech21.com

Tel : +82-2-2264-0810 Fax : +82-2-2264-0812 E-mail : umkh33@daum.net
Suite 203, Sanho Bldg, 12-1, Donhwamun-ro, Jongno-gu, Seoul, Korea

VALVE

Diaphragm Valve

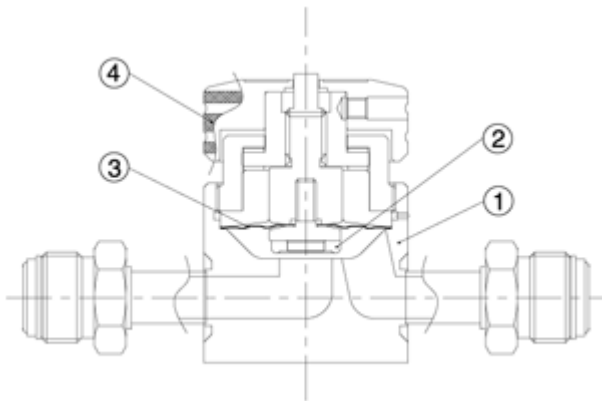
HIGH FLOW DIAPHRAGM VALVE

STD TYPE

VALVE

PAGE

2 / 2



Material

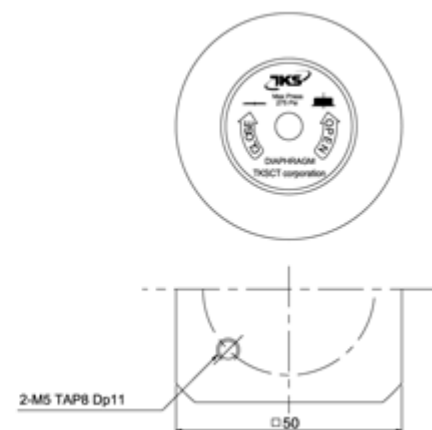
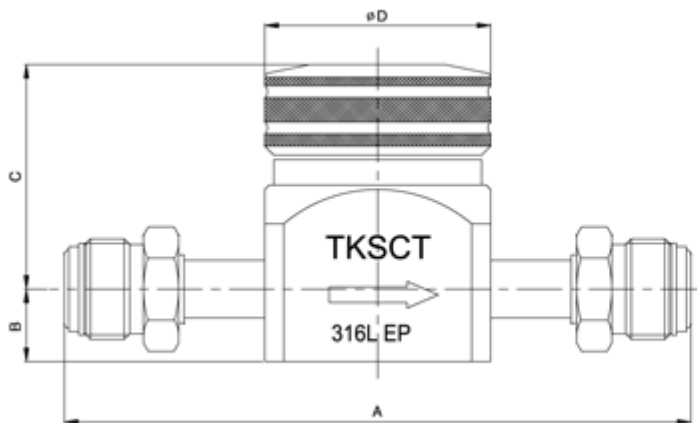
NO.	NAME	MATERIAL
1	Body	316L Stainless Steel 316L Stainless Steel Remelted 304 Stainless Steel
2	Disk	PCTFE
3	Diaphragm	316L Stainless Steel
4	Handle	ALUMINIUM

Ordering Number

S	8	HFDV	VM	P2	PVF	X1	P
[Material]	[Size]	[Product]	[Connection]	[Purge Port]	[Purge Port Connection]	[Option]	[Grade]

MATERIAL		SIZE		CONNECTION	
S	316L Stainless Steel	8	1/2"	VM	MFS Male
D	316L Stainless Steel Remelted	12	3/4"	VF	MFS Female
4S	304 Stainless Steel	16	1"	TW	Butt Weld
-	-	-	-	-	-

PURGE PORT LOCATION		PURGE PORT CONNECTIONS		GRADE	
P0	Outlet Side	PVM	1/4" MFS Male	AP	AP Grade
P1	Inlet and Outlet	PVF	1/4" MFS Female	BLANK	BA Grade
P2	Inlet Side	-	-	P	EP Grade
Blank	No Purge Port	-	-	-	-



SIZE	CONNECTION	A	B	C	D
1/2"	VM	138,7	16	53,5	50
	VF	138,7	16	53,5	50
	TW	150	16	53,5	50
3/4"	VM	157,0	17,5	56,5	50
	VF	157,0	17,5	56,5	50
	TW	150	17,5	56,5	50
1"	VM	166	17,5	56,5	50
	VF	166	17,5	56,5	50
	TW	150	17,5	56,5	50

NINE TECH

Tel : +82-2-2264-0810 Fax : +82-2-2264-0812 E-mail : umkh33@daum.net

www.ninetech21.com

Suite 203, Sanho Bldg, 12-1, Donhwamun-ro, Jongno-gu, Seoul, Korea

VALVE