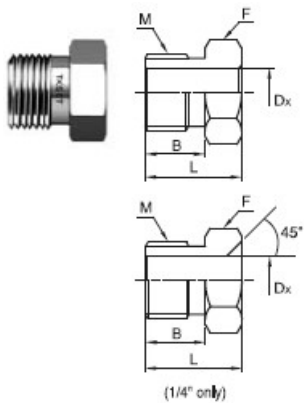


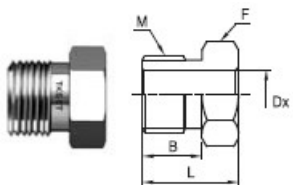
## Female Nut

Head Size	Ordering Number	L	F Hex Flat	Dx	M
1/8	S2FN	13.5	11.11	5.3	5/16-24 UNF
1/4	S4FN	20.5	19.05	9.1	9/16-18 UNF
1/2	S8FN	22.3	26.99	15.5	7/8-14 UNF
3/4	S12FN	28.4	38.1	22.6	1 1/4-18 UNEF
1	S16FN	34	44.45	30.5	1 1/2-20 UN



## Male Nut

Head Size	Ordering Number	L	B	F Hex Flat	Dx	M
1/8	S2MN	12.7	8.2	9.52	5.3	5/16-24 UNF
1/4	S4MN	18	11	15.88	9.1	9/16-18 UNF
1/4	S4MNS	13.7	11	15.88	9.1	9/16-18 UNF
1/2	S8MN	20.5	12.7	23.81	15.5	7/8-14 UNF
3/4	S12MN	25.4	16	33.34	22.6	1 1/4-18 UNEF
1	S16MN	30.2	20	41.28	30.5	1 1/2-20 UN



## HMFS Male Nut

Head Size	Ordering Number	B	L	F Hex Flat	Dx	M
1/4	S4HMN	11	18.03	15.88	9.9	9/16-18 UNF