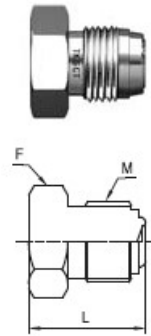
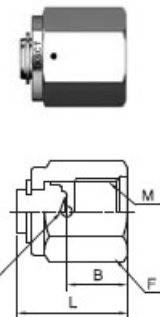


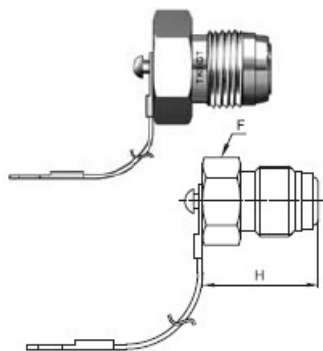
PLUG & CAP



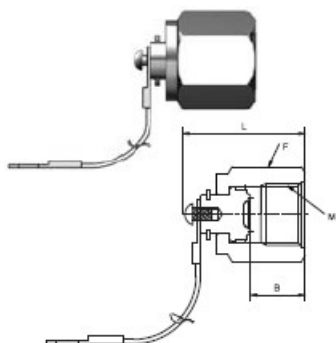
Plug					
Head Size	Ordering Number	L	F Hex Flat	M	
1/8	S2PG	17.3	9.52	5/16-24 UNF	
1/4	S4PG	23.37	15.88	9/16-18 UNF	
1/2	S8PG	27.43	23.81	7/8-14 UNF	
3/4	S12PG	36.32	33.34	1 1/4-18 UNEF	
1	S16PG	38.61	41.28	1 1/2-20 UN	



Cap					
Head Size	Ordering Number	L	B	F Hex Flat	M
1/8	S2CP	16	7.6	11.11	5/16-24 UNF
1/4	S4CP	24.2	11.18	19.05	9/16-18 UNF
1/2	S8CP	25.5	11.43	26.99	7/8-14 UNF
3/4	S12CP	32.77	13.72	38.1	1 1/4-18 UNEF
1	S16CP	39.12	16	44.45	1 1/2-20UN



Plug(CABLE TYPE)				
Head Size	Ordering Number	F	H	Cable Length
1/4	S4PG-C	15.88	23.37	260
1/2	S8PG-C	23.81	27.43	260



Cap(CABLE TYPE)						
Head Size	Ordering Number	L	B	F Hex Flat	M	Cable Length
1/4	S4CP-C	27.8	11.18	19.05	9/16-18 UNF	260
1/2	S8CP-C	29	11.43	26.9	7/8-14 UNF	260